

AB1 200 Vdc Fuse



FEATURES:

- 200 Vdc fuse
- Rated Current: 50-300 A
- Breaking Capacity: 20 kA
- Dimensions: 22x29mm
- QR code marks on each fuse for traceability

DESCRIPTION

- Adler AB1 series ESS fuses are engineered and manufactured for use in Industrial ESS and Power Distribution Protection, made from the highest quality materials and tested to the highest standards. With rated currents from 50A to 300A with a breaking capacity of 20kA.

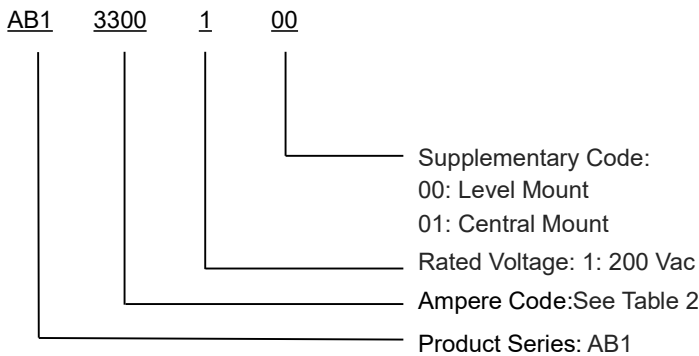
AGENCY INFORMATION

- Ref. to: UL 248-13; IEC 60269-4
- Approval: UL (File: E485737)
- Manufactured under IATF 16949 quality system
- RoHS and REACH Compliant

APPLICATIONS

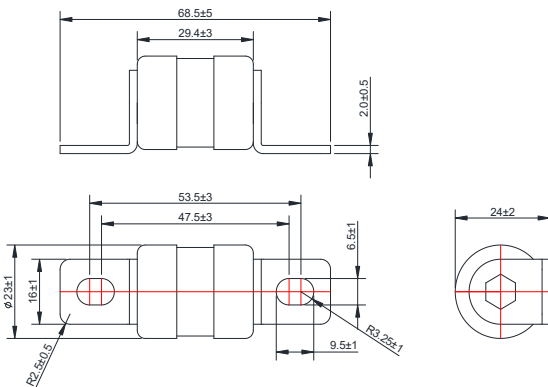
- ESS and BESS circuit protection
- Power storage protection

PART NUMBERING SYSTEM



DIMENSIONS (mm)

AB1xxxx100



AB1xxxx101

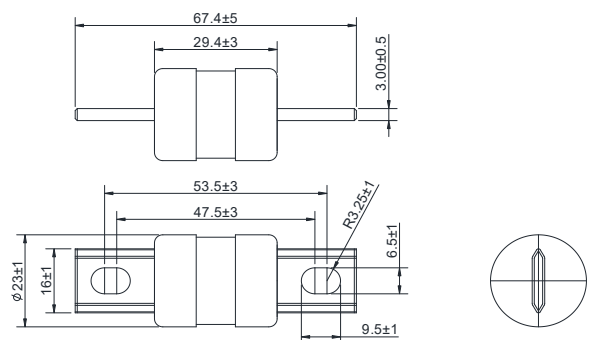


Table1
Packing information

Fuse Size	Box specifications (mm)	Packing quantity / per container	Weight / PCS (g)	Mounting Method	mounting requirements
AB1xxx100	410×215×160	240pcs	56±3%	M6	6±1N • m
AB1xxx101	410×215×160	240pcs	61±3%	M6	6±1N • m

Table2
ELECTRICAL SPECIFICATIONS

Part Number		Rated Current	Ampere Code	Rated Voltage	Breaking Capacity	Dissipation(W)	Certification
Level Mount	Central Mount					1.0In	UL
AB12500100	AB12500101	50 A	2500	200 Vdc	20 kA@200 Vdc	6.5	●
AB12600100	AB12600101	60 A	2600			9.0	●
AB12700100	AB12700101	70 A	2700			12.0	●
AB12800100	AB12800101	80 A	2800			12.5	●
AB13100100	AB13100101	100 A	3100			13.5	●
AB13125100	AB13125101	125 A	3125			25.0	●
AB13150100	AB13150101	150 A	3150			26.0	●
AB13200100	AB13200101	200 A	3200			30.0	●
AB13250100	AB13250101	250 A	3250			35.0	●
AB13300100	AB13300101	300 A	3300			45.0	●

Note: (1) Operation Temperature Range: -40°C to +125°C

OPERATION CONDITIONS

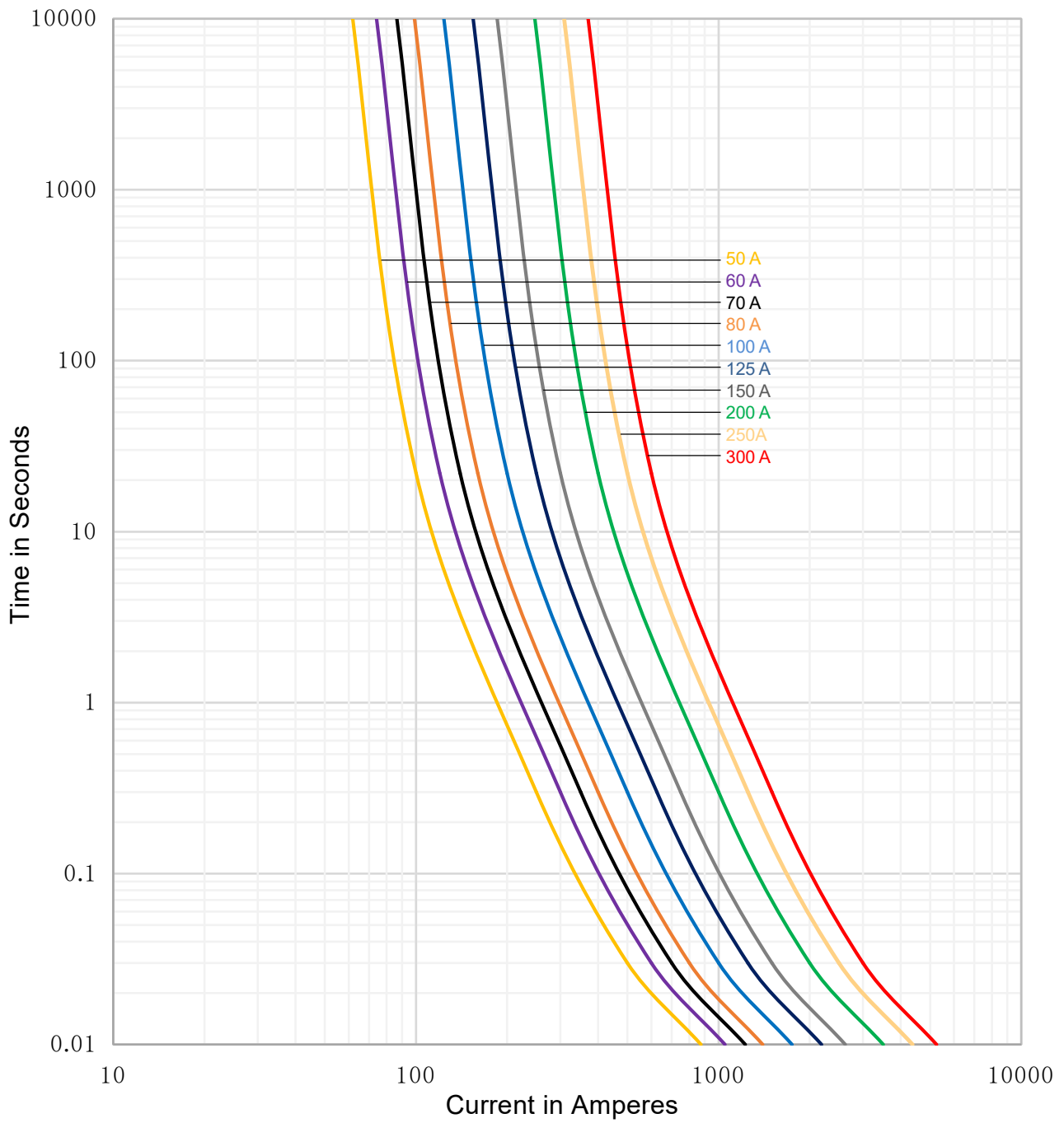
Where the following conditions apply, fuses complying with this standard are deemed capable of operating satisfactorily without further qualification.

- Installation suggestion: See Table 1.
- Normal temperature: -5°C ~ 40°C, permissible operating temperature: -40°C-120°C.
- The altitude of the site of installation of the fuses should not exceed 2000 m above sea level and permissible altitude site of installation does not exceed 5000m.
- The air should be clean and it's relative humidity does not exceed 50% at the maximum temperature of 40°C.
- Higher relative humidity is permitted at lower temperatures, e.g. 90% at 20°C.
- Under these conditions, moderate condensation may occasionally occur due to variation in temperatures.
- For operating conditions other than above, please contact manufacturer.

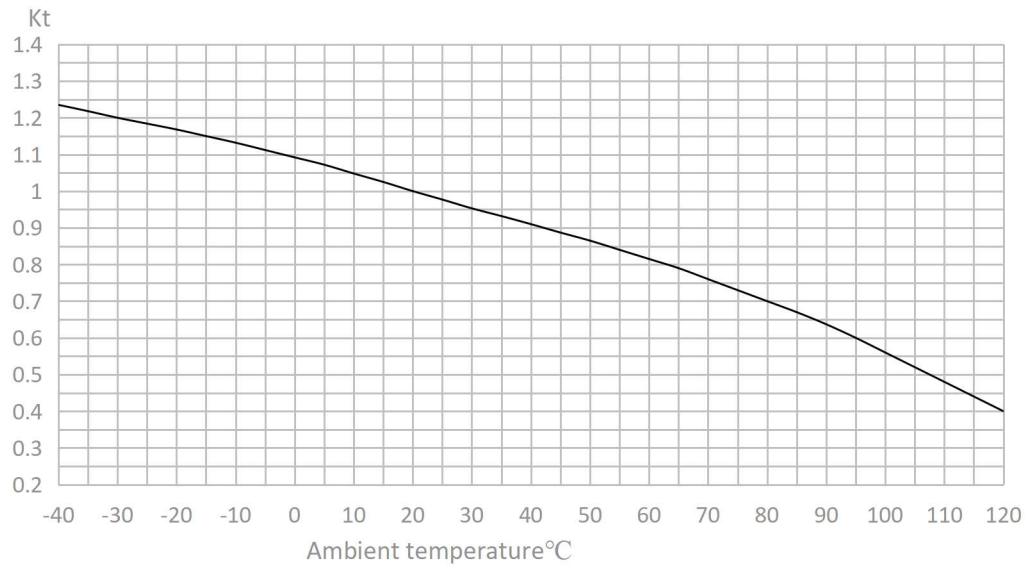
STORAGE

During transportation and storage, avoid water seepage and mechanical damage.

TIME CURRENT CURVE



TEMPERATURE DERATING CURVE



WEB RESOURCES

Download the latest technical documents: www.adlerelectric.com. Specifications are subject to change without notice.